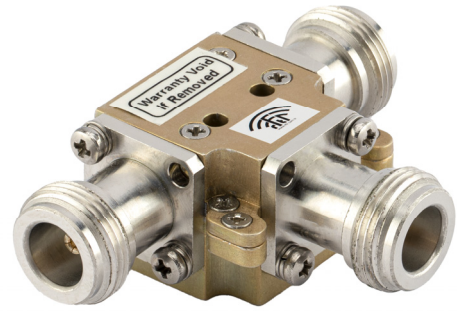




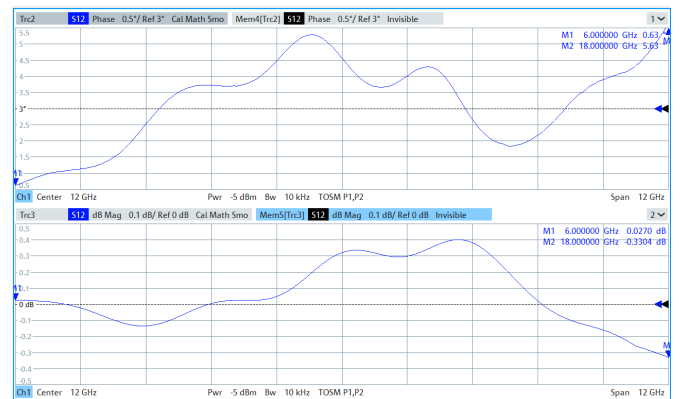
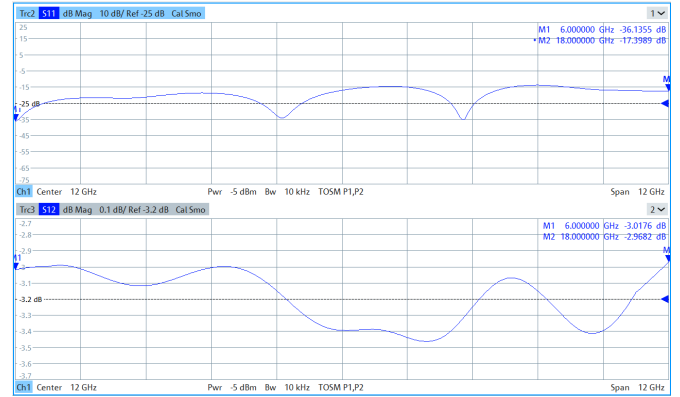
JPC600018000P50; 6 - 18 GHz 100W 2-WAY POWER SPLITTER / COMBINER

- Ultra Low Loss
- High Power Combining
- 50 Ohm Input / Output Impedance
- High Reliability and Ruggedness
- Small Dimensions and Light Weight



ELECTRICAL & ENVIRONMENTAL SPECIFICATIONS

Frequency:	6000-18000 MHz
Output Power:	100 W CW typ.
Insertion Loss:	< 0.5 dB
Input Return Loss:	22 dB typ, 15 dB min.
Amplitude Balance:	0.4 dB max.
Phase Balance:	10° max.
Operating Case Temperature:	-40 °C to 85 °C
Storage Temperature:	-40 °C to 85 °C
Shock:	MIL-STD-810F/G
Vibration:	MIL-STD-810F/G

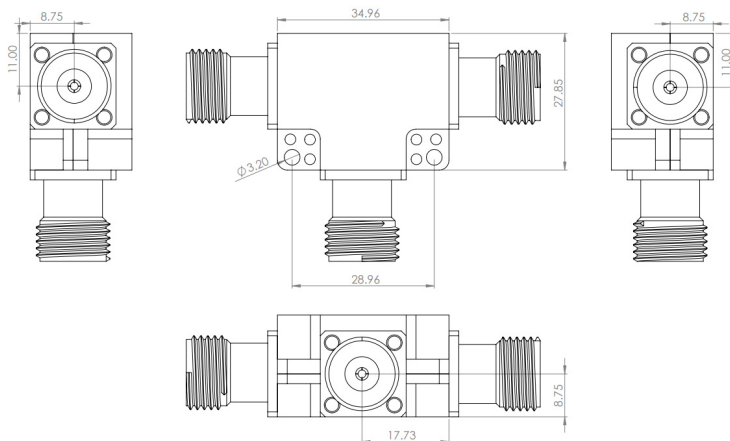


INTERFACES

RF Inputs:	N Female
RF Output:	N Female

MECHANICAL SPECIFICATIONS

Size (mm) :	35 x 27.9 x 21.75
(inch) :	1.38 x 1.1 x 0.86
Weight :	100 gr.
Plating :	Yellow Chromate



GENERAL DESCRIPTION

RFTR's JPC600018000P50 is a reliable ultrawide-band 100W power combiner operating between 6000 - 18000 MHz and suitable for CW or Pulsed waveforms. This combiner can be used in different applications such as radars, datalinks, mobile jamming or UAVs in C, X and Ku bands as a high power combining element.

JPC600018000P50 offers ultra-low loss which is less than 0.5 dB with an input return loss of 22 dB typical. The combiner has the amplitude balance of 0.4 dB and phase balance of 10 degree maximum.