



JD600020000P13; 6 – 20 GHz 20mW DETECTOR

- **Ultrawide-Band Operation**
- **Wide input power dynamic range -15 to +13 dBm**
- **High Accuracy**
- **Single Positive Supply Voltage**
- **Low Supply Current**



ELECTRICAL & ENVIRONMENTAL SPECIFICATIONS

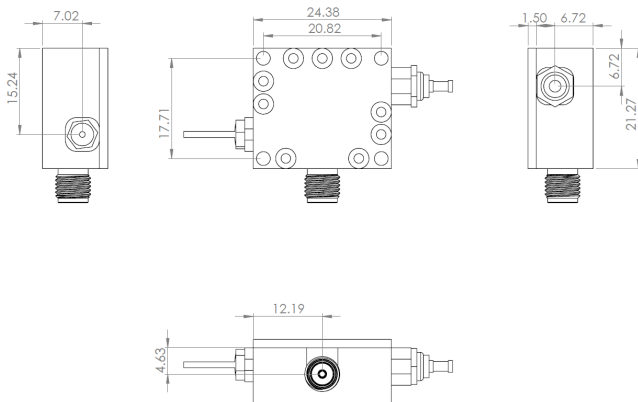
Frequency:	6000-20000 MHz
Max Input Power:	20 mW
Dynamic Range:	-15 to 13 dBm
Input VSWR:	2:1 max.
Output Voltage Range:	0.05 – 1.5 V
DC Supply Voltage:	5 V
Operating Case Temp.:	-40 °C to 85 °C External Heatsink Required
Storage Temperature:	-40 °C to 85 °C
Shock:	MIL-STD-810F/G
Vibration:	MIL-STD-810F/G

INTERFACES

RF Input:	SMA Female
4-PIN OUT:	1) GND 2) 5V 3) VOLTAGE OUT

MECHANICAL SPECIFICATIONS

Size (mm) :	50.9 x 30.6 x 9.6 mm
Weight :	13 gr.
Plating :	Yellow Chromate



GENERAL DESCRIPTION

RFTR's JD600020000P13 is a reliable ultrawide-band 20mW detector operating between 6000-20000 MHz this detector can be used in different applications such as radars, datalinks, mobile jamming units and RF PA transmit power control.

JD600020000P13 is designed with the components that do not require any export license.